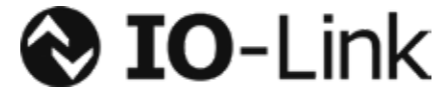


Absolute encoder IO-Link

Shaft with clamping or synchro flange
Singleturn 16 bit



FNC IO 58B Series



Features

- Encoder single IO-Link
- Magnetic sensing
- Magnetic singleturn resolution up to 16 bit
- Clamping flange or synchro flange
- Permanent check of code continuity,
- Extreme resistance to shock and vibration
- Resolution programmable

Technical data - electrical ratings

Voltage supply	18-30VDC
Protection:	Output short circuit protection. Reverse polarity protection
Consumption w/o load	<150 mA
Interface	IO-Link V1.1
Bit Rate	COM2
Resolution (steps/turn)	Magnetic 16 bit
Absolute accuracy	Magnetic ±0,06
Sensing method	Magnetic
Code	Binary
Code sequence	CW default, programmable
Programmable paramaters	Direciton Resolution
Note:	All parameters changable via IO-Link interface
Interference immunity	DIN EN 61000-6-2
Emitted interference	DIN EN 61000-6-4
Approval	CE

Technical data - mechanical design

Dimensions (flange)	Ø58 mm
Shaft loading	≤40 N axial ≤80 N radial
Protection DIN EN 60529	IP54, IP65
Operating speed	≤10000 rpm
Starting torque	≤0.001Nm (IP 65)
Materials	Housing, Flange : Aluminium Shaft : Stainless steel
Shaft diameter:	6, 8, 10 mm (other diameters on request)
Bearings lifetime:	2x10 ⁹ rev. at 100% of full rated shaft load (minimum)
Operating temperature	-40...+90 °C -40 °F ...+180 °F
Weight approx.	350 g

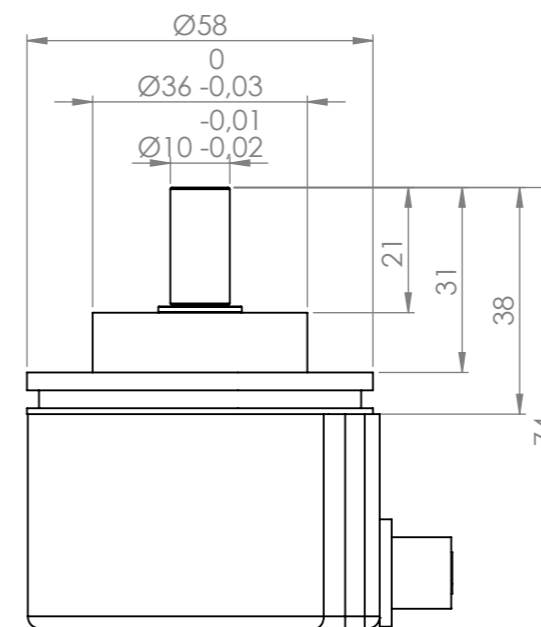
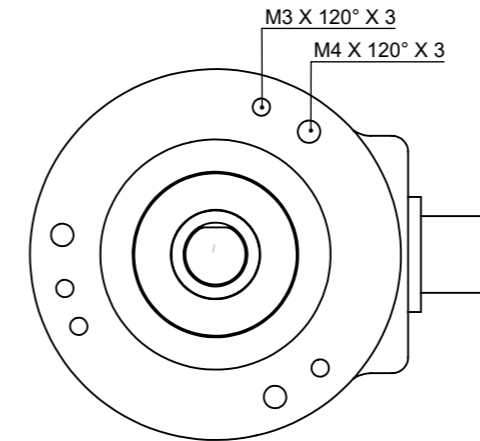
Absolute encoder IO-Link

Mechanical Dimensions
Cable/Connector Wiring, Part Number

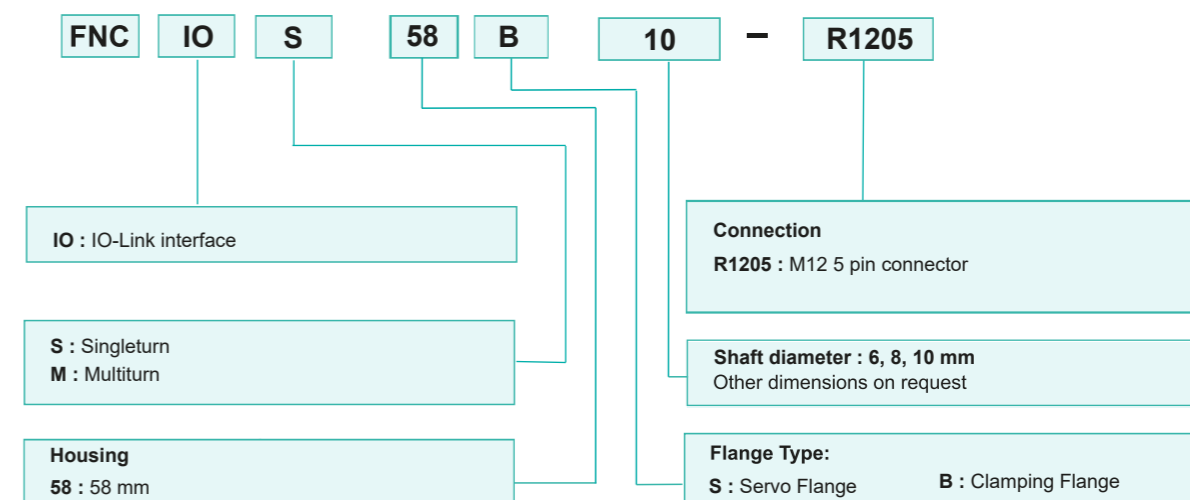


FNC IO 58B Series

Mechanical Dimensions



Encoder Part Number

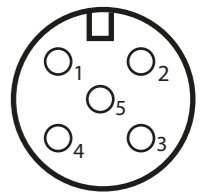


CANopen® features

Bus protocol	IO-Link
Device profile	Common Profile
Rotating direction	The rotating direction in which there have to be ascending or descending position values can be defined. Default setting: Ascending position values when looking at the flange and rotating the shaft clockwise.
Resolution	Up to 16 bit

Terminal assignment

Connector	Signals
Pin 1	L+
Pin 2	N.C.
Pin 3	L-
Pin 4	C/Q
Pin 5	N.C.



Compatible female connector: FCSF M1205
Compatible female connector with 2 meter cable : FCSF M2105 200

