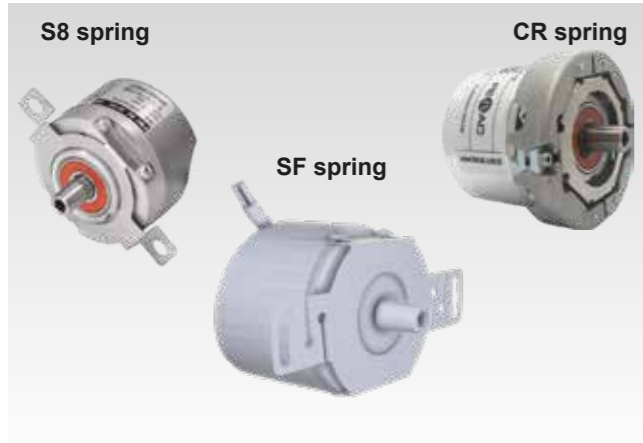


## FNC 58SC Series



### Features

- Industry 58 mm standard size, clamping flange
- Robust mechanical and electrical construction
- Protection up to IP67
- Up to 25.000 PPR max.
- <300 kHz frequency

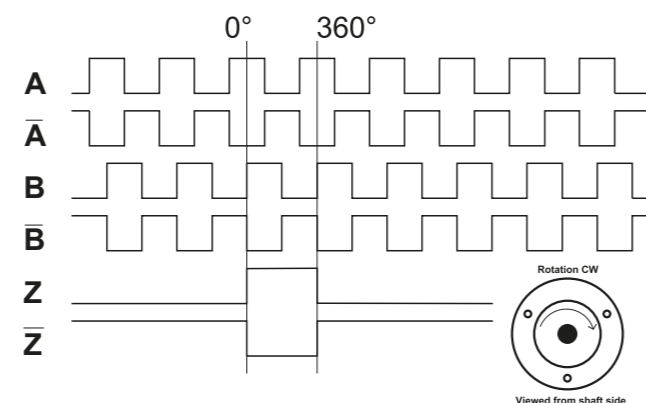
### PPR Options :

1 to 128 - 25 - 50 - 100 - 200 - 250 - 300 - 360 - 400 - 500 - 512 - 600 - 720 - 800 - 900 - 1000 - 1024 - 1250 - 1440 - 2000 - 2048 - 2500 - 3000 - 3600 - 4000 - 4096 - 5000 - 6000 - 8192 - 10000 - 12500 - 16384 - 20000 - 25000

### Technical data - mechanical design

Dimensions (flange)	ø58 mm
Shaft loading	≤120 N axial ≤160 N radial
Protection DIN EN 60529	IP54, IP65
Operating speed	≤10000 rpm
Starting torque	≤0.025 Nm (IP 67)
Materials	Housing: Aluminium Flange: Aluminium Shaft : Stainless steel
Shaft diameter:	6, 8, 10, 12 mm ( other diameters on request )
Bearings lifetime:	2x10 <sup>9</sup> rev. at 100% of full rated shaft load (minimum)
Operating temperature	-20...+85 °C
Storage temperature	-30 °C up to +90 °C
Weight approx.	250 g

### Pulse Diagram



### Technical data - electrical ratings

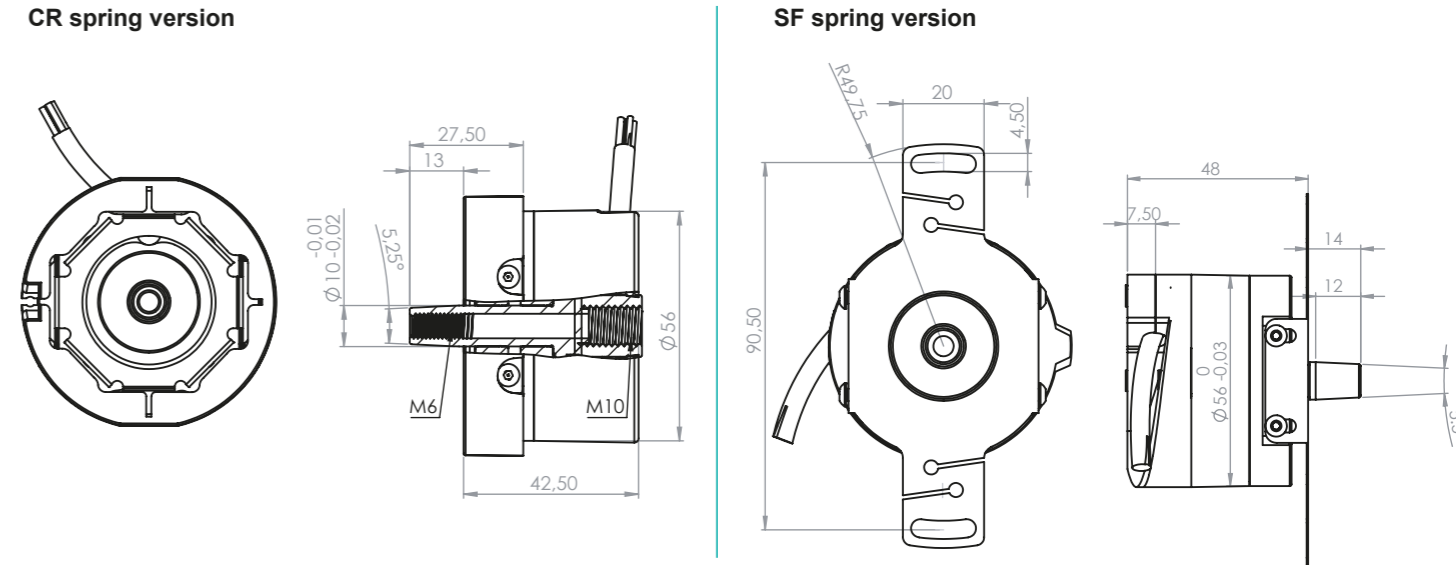
Voltage supply	4.75VDC to 30VDC 4.75VDC to 5.5VDC
Protection:	Output short circuit protection. Reverse polarity protection ( except 5V version )
Consumption w/o load	≤60 mA (24 VDC)
Resolution (steps/turn)	1...25.000 up to 65536
Reference signal	Zero pulse, width 90° 180°, 360° optional
Optoelectronic life time	100.000 (min)
Output frequency	>200 kHz
Output signals	90° shifted A and B, Z + inverted
Output circuit	Linedriver/RS422 Push-pull short-circuit proof NPN Open Collector
Interference immunity	DIN EN 61000-6-2
Emitted interference	DIN EN 61000-6-4
Approval	CE

### Cable Wiring

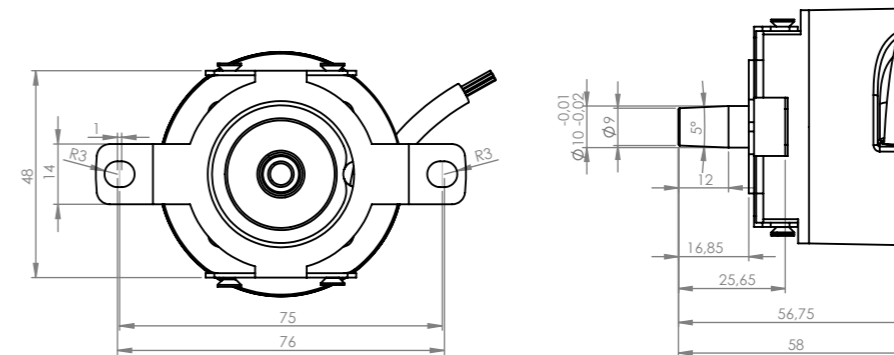
Function	Color	Renk	Explanation
+VB	Brown	Kahve	Supply Voltage
GND	White	Beyaz	Ground
A	Green	Yeşil	A Channel
A'	Red	Kırmızı	A Inverted Channel
B	Yellow	Sarı	B Channel
B'	Pink	Pembe	B Inverted Channel
Z	Gray	Gri	Z Channel
Z'	Blue	Mavi	Z Inverted Channel
Shield	Black	Siyah	Shield

## FNC 58SC Series

### Mechanical Dimensions



### S8 spring version



### Encoder Part Number

**FNC 58 SC C 6 30V 1024 - R2 CR**

<b>Housing:</b> 58 : 58mm	<b>Spring Type:</b> CR S8 SF
<b>Flange Type:</b> SC : 58 mm with conic shaft	<b>Electrical Connections:</b> Cable R2 : radial 2m, shield not connected (standart) A2 : axial 2m, shield not connected (standart) K12 : 12 pin socket connection
<b>Shaft diameter :</b> C : Conic shaft	<b>Connector:</b> R1204 R1607 R1205 R1614 R1208 R2312R R1212 R2312L
<b>Output Channels</b> 1 : A 2 : AB 3 : ABZ 4 : AB+A' B' 6 : ABZ+A' B' Z'	<b>PPR Options :</b> 1 to 128 - 25 - 50 - 100 - 200 - 250 - 300 - 360 - 400 - 500 - 512 - 600 - 720 - 800 - 900 - 1000 - 1024 - 1250 - 1440 - 2000 - 2048 - 2500 - 3000 - 3600 - 4000 - 4096 - 5000 - 6000 - 8192 - 10000 - 12500 - 16384 - 20000 - 25000
<b>Supply Voltage and output circuit :</b> 5V : 5V in / out 245V : 5-30V in 5V out 30V : 5-30V in / out	